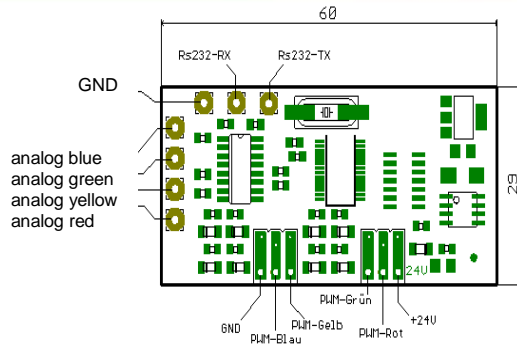


PWM-Universal Module

Article-nr. 308003000

Technical Illustration



Description

Intelligent control unit supporting 4-channel-PWM-outputs (Pulse-Width-Modulation) to control all esw RGB-modules. (except: article-nr. 302012000 and 302013000). Selectable functions are:

a) 4-fold PWM-module with 4 analogue inputs: 1-10VDC (optional. 0-10VDC)

alternatively

b) RGB control unit supporting these functions: Continuous color gradient, start/stop-function, single color selection: red, green, blue, yellow, white

alternatively

c) RGB control unit (functionality see b)) with integrated power supply 24VDC/8W

Specification

Power Supply :	24VDC
Power Consumption:	2W
Control Inputs:	4 x analogue (red, green, blue, yellow) 1-10V DC (opt. 0-10VDC)
PWM-Outputs:	4 x PWM, 12V, frequency of modulation 250Hz
Dimension without Case:	30 x 60 mm
Dimension incl. Case:	approx. 30 x 40 x 120 mm
Connectivity:	circular plug