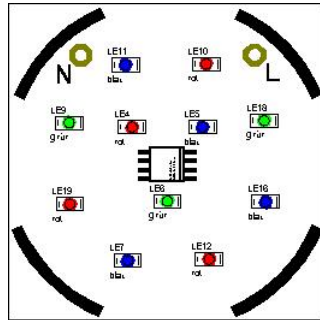


RGB-Module 11 LEDs

Article nr. 302011000

Technical Illustration



Description

LED-Module equipped with internal on-board-controller, which controls a continuous color-fading in a fixed time sequence from approximately 20 seconds.

Suitable for indoor color accentuation for rooms or special objects.

The module is encapsulated in a special plastic housing to protect against accidental contact (electrical safety) due to 230VAC power supply.

Several of this modules connected to the same power supply source are automatically synchronized.

On request: available also with 7 or 8 LEDs!

Specification

Color	LEDs	Wavelength	Luminance	Light Power	Beam Angle	Current/Voltage	
	pcs.	nm	mcd	lm/w	degree	mA	V
red	4	614	typ 1650mcd	17.5	120	0 - 45,0	2.1
green	3	520	typ 490mcd	17.5	120	0 - 22,5	3.5
blue	4	470	typ 110mcd	4	120	0 - 22,5	3.6

Power Supply: 230VAC +/- 15%

Power Consumption: max. 1.2W

Dimension: circular 42 mm; squarish 42 x 42 mm

Electrical Safety: EN 60335/VDE 0700